

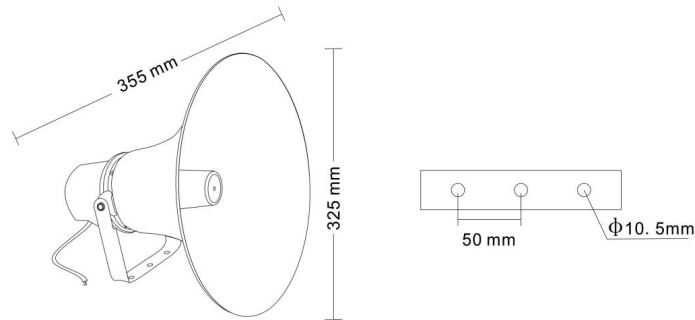


Weatherproof Aluminum Horn Speaker

T-720K



Material: All aluminum alloy



Description:

All aluminum alloy structure, stainless steel bracket, wide frequency domain waterproof horn, strong sound penetration, wide coverage, suitable for square, railway station, etc.

Specifications:

Model	T-720K
Power Taps @ 100V	25W, 50W
Power Taps @ 70V	12.5W, 25W
Impedance	Black-Com Green: 400Ω White: 200Ω
Frequency Response	300-14KHz
Sensitivity	104dB±3dB
IP Rate	IP66
Explosion-proof level	Ex d IIB T6 Gb
Dimension	325 x 325 x 355mm
Weight	3.1kg